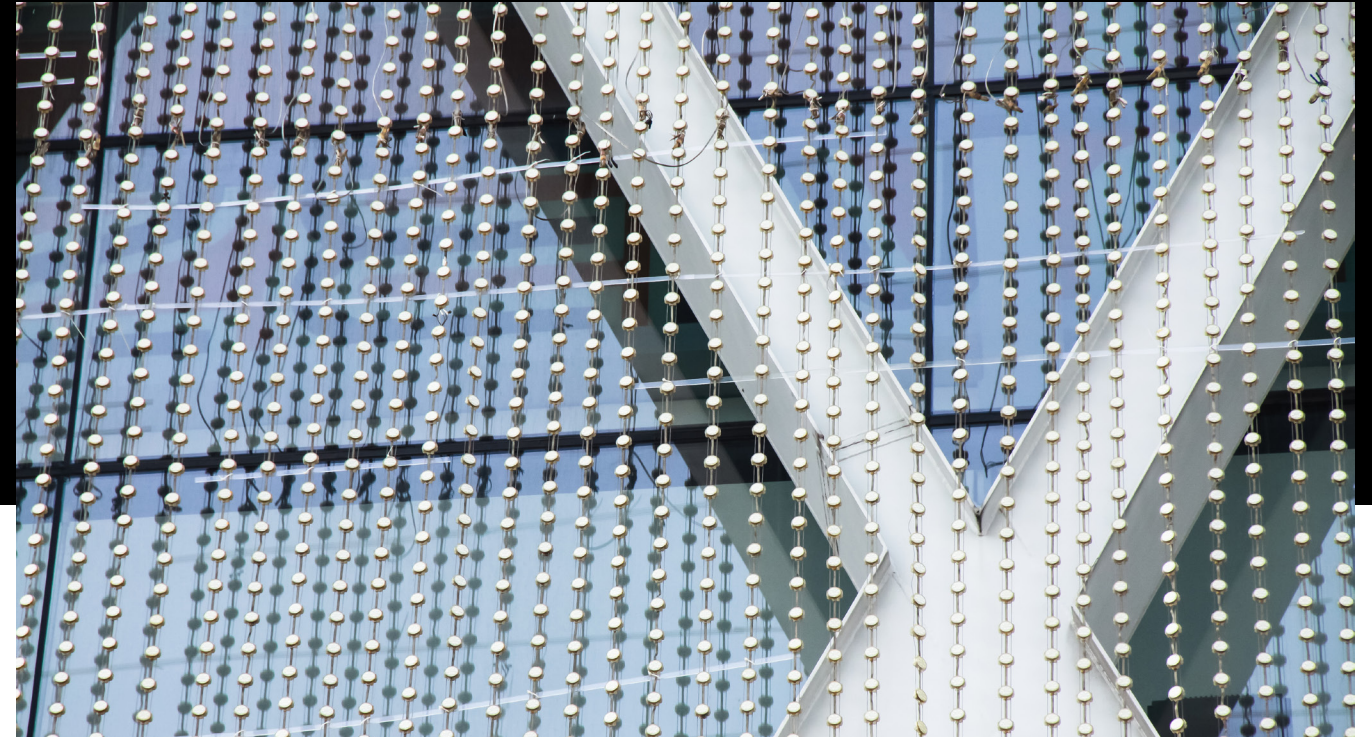
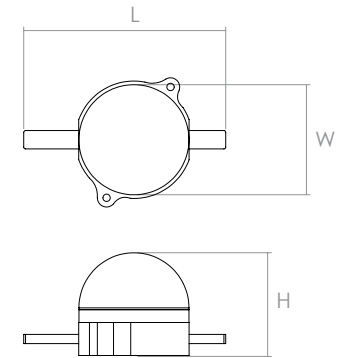
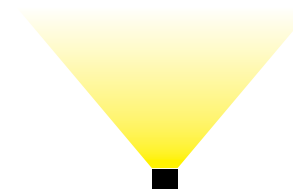


# Alioth



**Nominal Voltage** 220-240 VAC  
**Body Materials** Plastic Injection  
**Optics** Plastic Injection  
**Led Options** Osram, Seoul, Nichia, Cree  
**Class** I  
**Ingress Protection** IP67  
**Optional** Dimmer, DALI, DMX



Product Code	Power Consumption (W)	Output Lumen (lm)	Correlated Color Temperature (CCT)	Color Rendering Index (CRI)
YL-DT	1.2 - 6.5	120 - 650	3000K / 4000K / 6500K	Min. 80

Product Code / Dimensions (mm)	L	W	H	Weight (gr)
YL-DT	60	60	56,5	84